

INSTALLATION INSTRUCTIONS



**One-Piece
High Efficiency Toilet
#MOTB10-11W**

! READ ALL INSTRUCTIONS BEFORE UNPACKING THE PRODUCT

INSTRUCTIONS THAT, IF IGNORED COULD RESULT IN DEATH OR SERIOUS INJURY CAUSED BY INCORRECT HANDLING OR INSTALLATION OF THE PRODUCT. THESE INSTRUCTIONS MUST BE OBSERVED FOR SAFE INSTALLATION.

CAUTION!



**TWO PERSON
LIFT REQUIRED**

**2 PEOPLE ARE REQUIRED TO LIFT AND DURING
ENTIRE INSTALLATION OF THIS PRODUCT**



**INSTALLATION OF THIS PRODUCTS BY AN
INEXPERIENCED INSTALLER MAY RESULT
PERSONAL INJURY OR DEATH!**



We reserves the right to change, update, modify, alter, redesign this manual/product or its policies without prior notice!
It is your responsibility to visit website to download or contact customer service for the most updated version of the installation instructions.

We shall not be liable for any injuries or property damages in connection with this product during installation or use of this product!

This products must be installed by a fully insured and licensed plumber only. Installation of any our product by anyone other than fully insured and licensed plumber shall void limited warranty. We recommends that such licensed plumber have experience in the installation of products.

Limited warranty is void on any commercial installation.

We are not responsible for local code compliance for this product. Building and plumbing codes may vary from state-to-state in accordance to your location. We are not responsible for providing any compliance certifications.

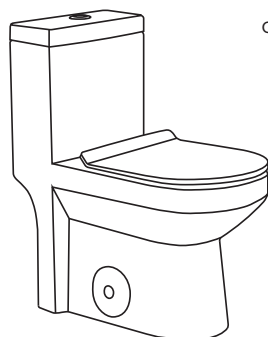
We are not responsible to provide any type of certifications for this product.

Under no circumstances we are shall not be liable for any and all incidental damages sustained in connection with this product Neither manufacture, nor distributor, nor retailer is responsible for water damage or flood caused due to use of this product.

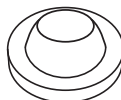
Under no circumstances We shall not be liable for any and all fees, cost of installation/reinstallation/removal, subsequent damage or transportation in case of the product defect.

TOILET COMPONENTS

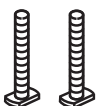
During unpacking the product and prior to installation inspect your new product for any damages or missing parts. Do not attempt to install or operate the product if the product is damaged.



One piece toilet
with soft-close
toilet seat x1



Wax Ring x1



Closet
Bolts x2



2x Nuts

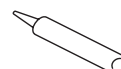
2x Washers

OTHER TOOLS MAY BE REQUIRED

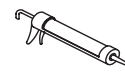
TOOLS REQUIRED FOR INSTALLATION



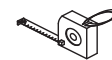
Soft Cloth
or Blanket



Silicone



Silicone/
Caulk Gun



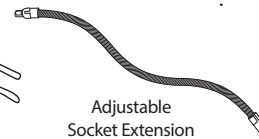
Tape
Measure



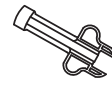
Adjustable
Wrench



Channel
Lock Pliers



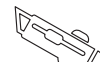
Adjustable
Socket Extension



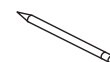
Hand
Wrench



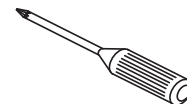
Safety Glass



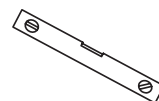
Knife



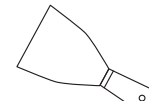
Pencil/Marker



Phillips
Screwdriver

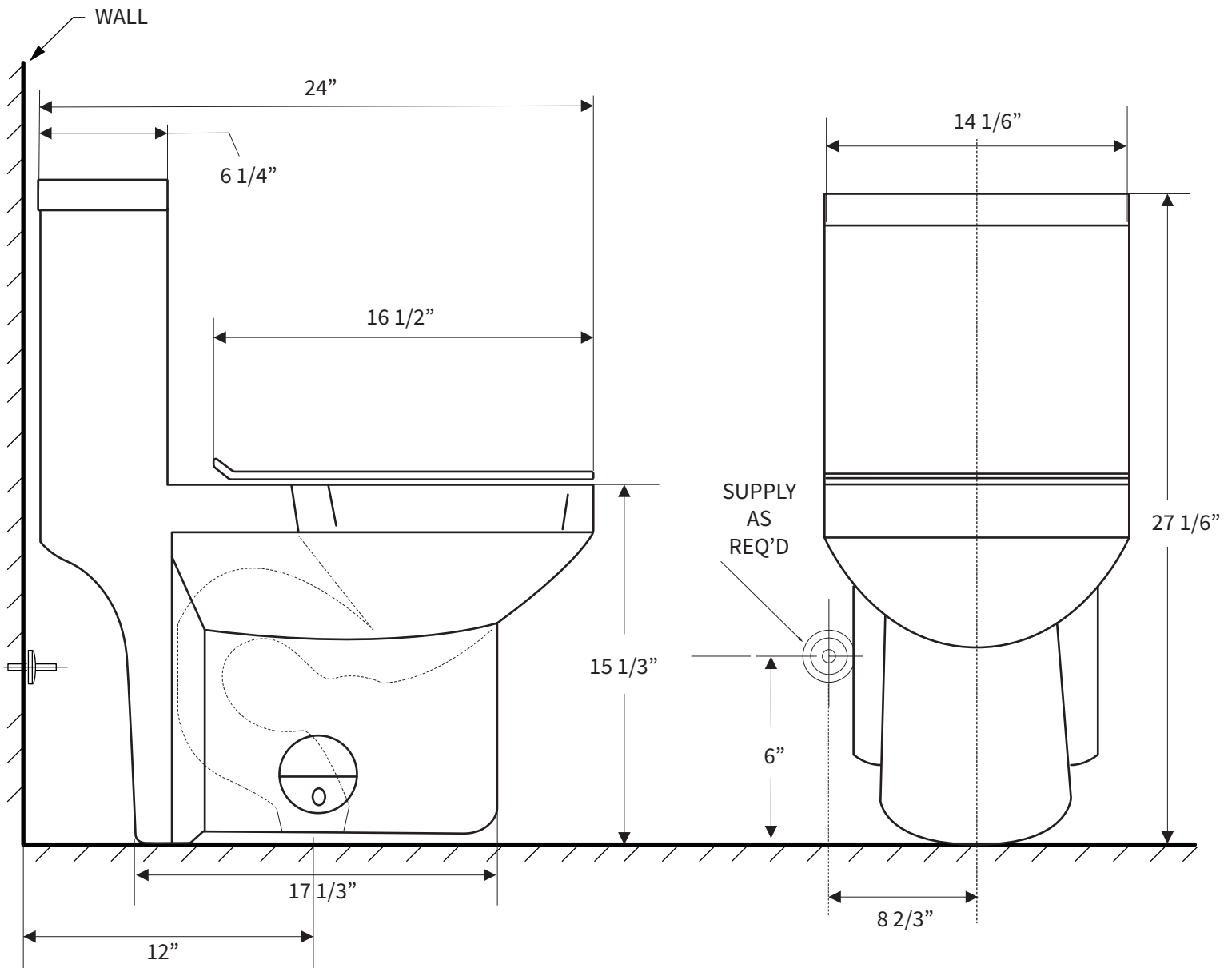


Level



Putty Knife

DIMENSIONS/TECHNICAL DATA



ATTENTION! Dimensions may vary by up to 3/8". It is highly recommended to pull all dimensions of actual model for installation and measuring purposes.

TECHNICAL DATA

- Dual flush: 1/1.6 GPF

INSTALLATION INSTRUCTIONS



IMPORTANT! Shut off main water supply prior to installation!



REMOVE OLD TOILET

1. Shut off water supply line. If you do not have shut-off valve near the toilet shut off main water supply line.
2. Flush the old toilet and make sure that tank is empty.
3. Disconnect and remove water supply line connected to the toilet's tank.
4. Remove old toilet, bolts, nuts from the closet flange.
5. Clean closet flange area from old wax ring and putty sealant using putty knife from the base area.
6. Clean any remaining debris and wipe any water at the installation area
7. Temporarily plug flange on a floor with a flange plug or towel to prevent gasses from escaping

IMPORTANT! The mounting surface area must be clean, dry, and leveled prior to installation of the new toilet!

NOTE! Inspect the existing closet flange for damages. If damaged, replace it to new flange before proceeding to the installation

PREPARE CLOSET FLANGE

Make sure that rough-in is 12" by measuring the distance from the wall to the center of the closet flange.

See Figure 1

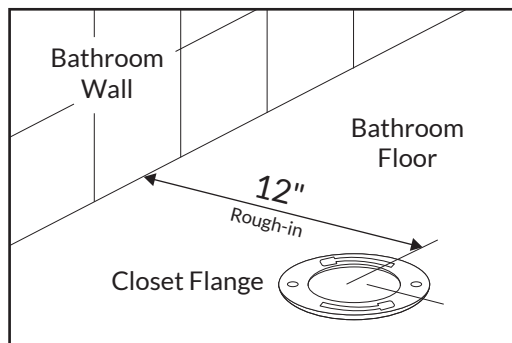


Figure 1

Insert floor bolts into flange channel with bolt head down, use plastic retaining washers to hold the bolts in full-length. Floor bolts should be parallel to wall and 6" apart.

See Figure 2

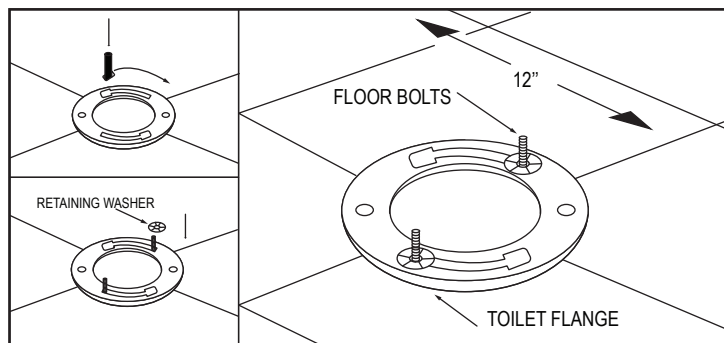


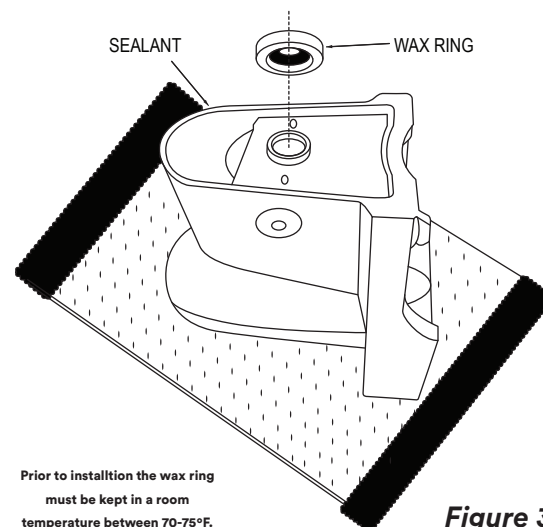
Figure 2

INSTALL WAX RING

Important: safety glasses must be worn by the installer and all bystanders. Cover the floor with a soft-close blanket. Carefully turn the toilet on it's side or upside-down on the blanket with assistance of a second person. Install wax ring over the horn discharge located on the bottom of the toilet's bowl.

See Figure 3

Note: Ceramic is a fragile material. You must always cover the floor with a soft-cloth blanket if you want to put the toilet on the floor on any side other than the bottom of the toilet. If you do not cover the floor with a soft-close blanket contact of the toilet with the floor may and will cause minor or moderate scratches on the toilet's surface.



Prior to installation the wax ring must be kept in a room temperature between 70-75°F.

Figure 3



Always Use Soft-Cloth Blanket

CAUTION!



2 PEOPLE ARE REQUIRED TO LIFT AND DURING ENTIRE INSTALLATION OF THIS PRODUCT

INSTALL NEW TOILET

Step 1. Lift and carefully put the toilet over the closet flange so the closet bolts can go through the mounting holes in the toilet's base. Once the bowl is in the position press the bowl down with slight twisting motion in level position towards the floor. Apply your body weight to evenly compress the wax ring to create watertight seal. Make sure that the bowl is as leveled as possible to have a nice seal tight.

Do not rock the toilet back and forth and side to side as it may and will break a seal and you will need to replace the wax ring again and start the installation process over.

See Figure 4

Step 2. Once the toilet is set and leveled install washers and nuts over the closet bolts. Tighten nuts. Do not overtighten the nuts. It may and will cause damage to the toilet's ceramic base.

See Figure 5

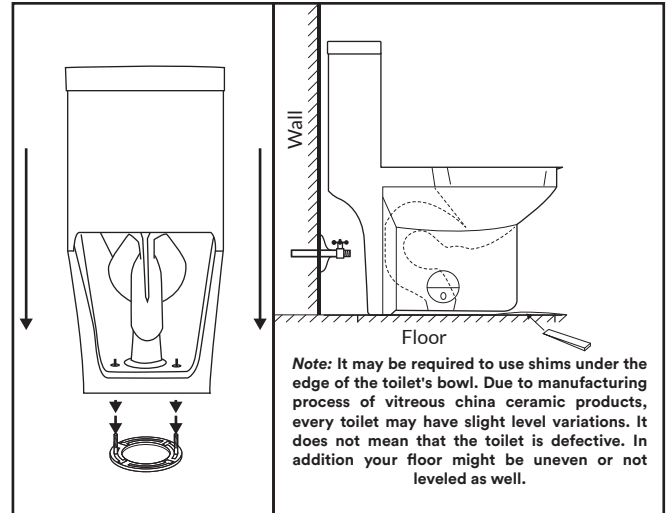


Figure 4

CONNECT TOILET'S TANK TO WATER SUPPLY LINE

Connect the water supply line between the tank and water shut-off valve using a toilet hose (not supplied). When connecting toilet hose tighten coupling nut to the tank by 1/4 turn beyond the hand tight.



Do not overtighten nut on the tank connection. It may and will cause water leakage.

Turn on valve on water supply line and allow tank to fill. Check all connections for leakages and tighten as needed.

Once tank is filled with water flush it 4-5 times to perform a test of the flushing system. At the same time check the bottom of the toilet for leaks to make sure that the wax ring is properly installed and sealed.

If there are no leaks you are ready finalize the installation. If any shims are installed at the bottom of the toilet's bowl you may trim them. Apply silicone around base of the toilet's. Allow 24 hours for silicone to dry before start using the toilet. See Figure 6
Important: Leaks may not occur during or right after the installation. Make sure to check for leaks every couple hours first day installed and occasionally check it everyday for the next week to ensure that toilet is properly installed and no leaks occur. If any leaks occur immediately shut off the water supply line valve and contact your local plumber to fix all leaks.

Important:

Under no circumstances We shall not be liable for any and all incidental damages sustained in connection with this product Neither manufacture, nor distributor, nor retailer is responsible for water damage or flood caused due to use of this product. Under no circumstances We shall not be liable for any and all fees, cost of installation/reinstallation/removal, subsequent damage or transportation in case of the product defect

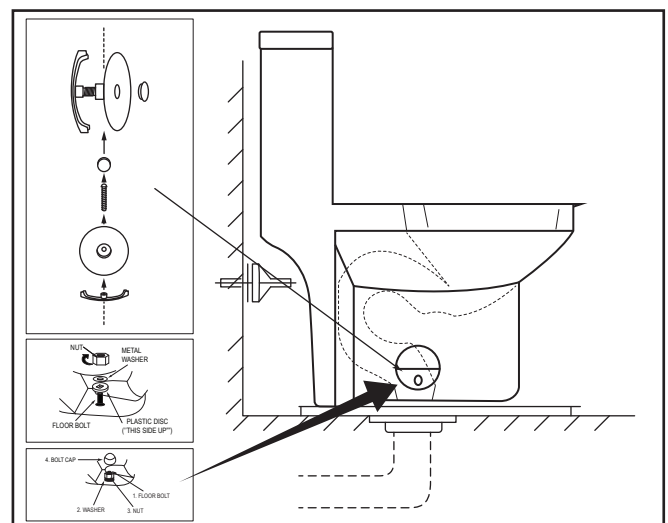


Figure 5

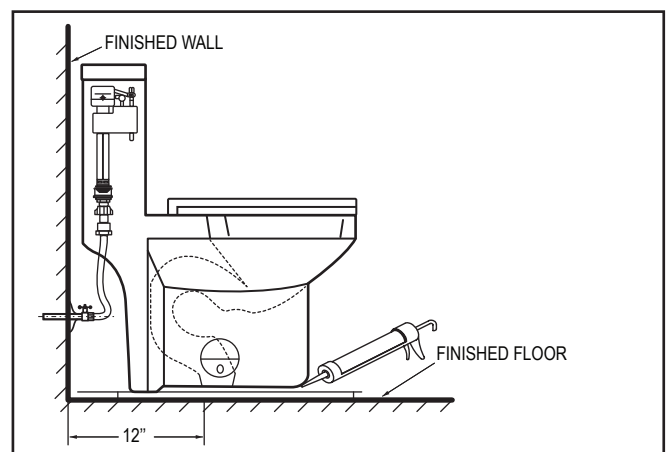
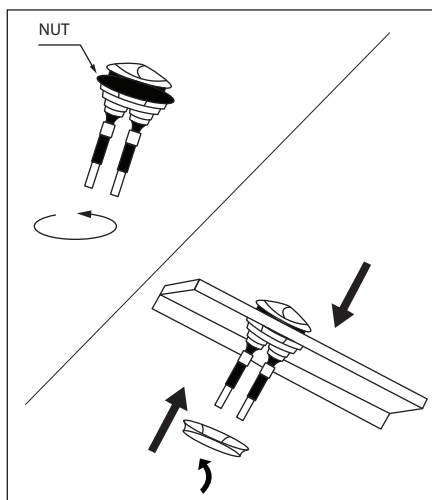
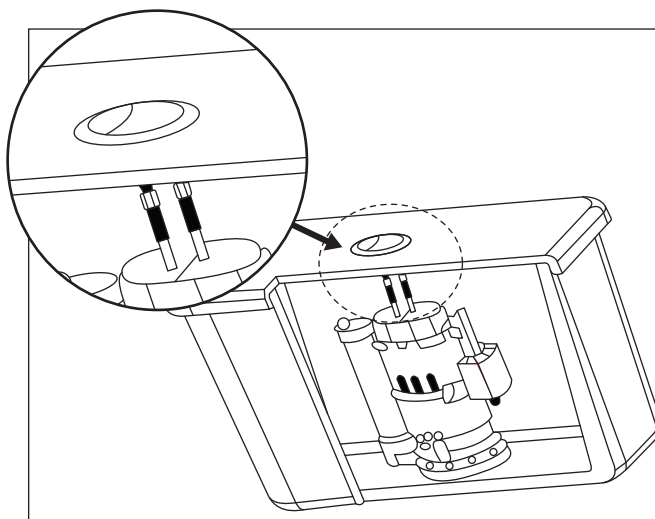


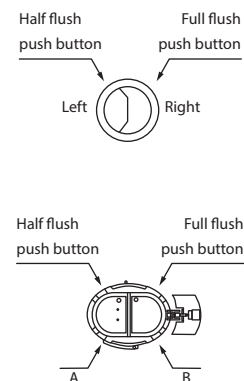
Figure 6



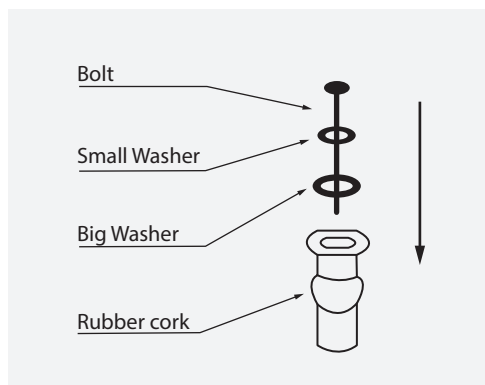
Remove nut from push button assembly. Place push button assembly through cistern cover. Fit nut and tighten (Do not over tighten).



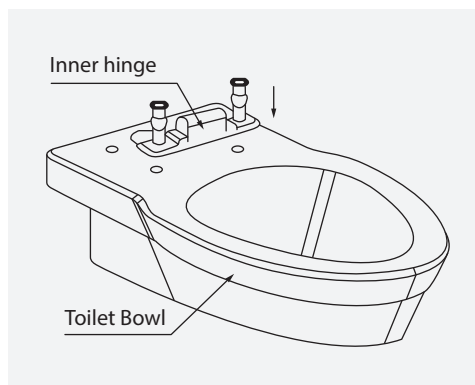
Ensure full flush button is on the right hand side so that it lines up with 'B' as shown in the diagram. The rods for full and half flush can be adjusted up and down by turning the rods up and down.



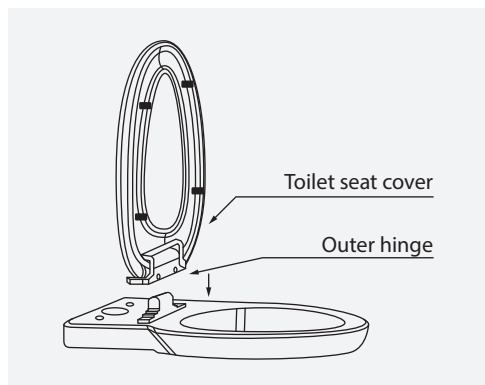
INSTALL TOILET SEAT



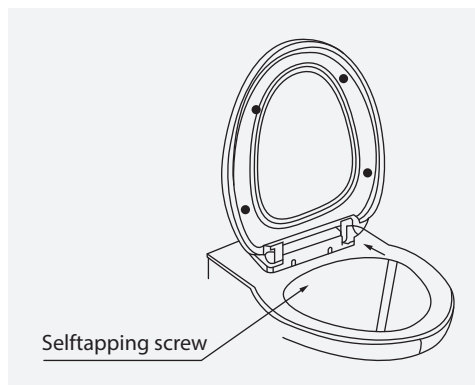
1. Fit the big washer, small washers, rubber cork with the bolt sequence.



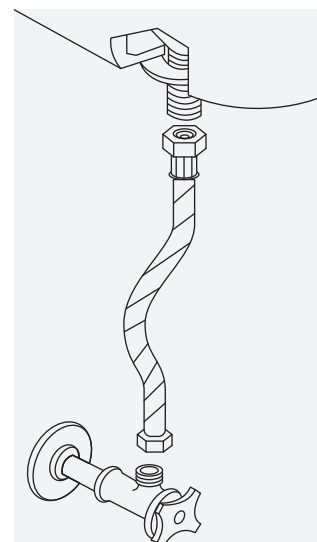
2. Align the inner hinge with toilet bowl's hole and insert screws to make the inner hinge fixed.



3. Get the seat cover and outer hinge ready, then, assembled the outer and inner hinge in place.



4. Lift the seat cover up, put the selftapping screws into composite hole and tighten them up.



A. Connect the water supply line (not included) between the tank and shut-off valve.

B. Tighten the tank connection coupling nut 1/4 turn beyond hand tight.

DO NOT OVERTIGHTEN THE TANK CONNECTION

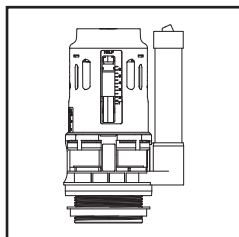
C. Turn on supply valve and allow tank to fill. Check for leakage at all connections and tighten or correct as needed.

CAUTION: DO NOT OVERTIGHTEN THE LOCK-BOLT, AS IT MAY DAMAGE THE SEAT.

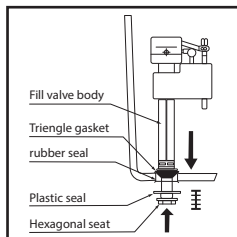
ADJUSTMENT & MAINTENANCE (DUAL FLUSH VALVE)

Important Note: Flush GPF amount is factory set. No additional adjustment is required. This page is for reference only. All adjustments are already made by manufacturer.

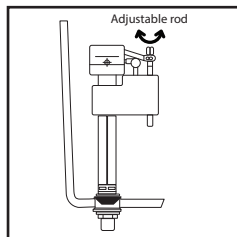
1. WATER LEVEL ADJUSTMENT



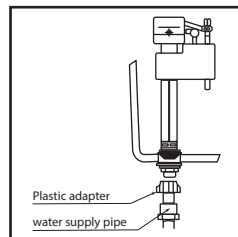
Check the dual flush valve and make sure that it does not have any damaged or missing parts



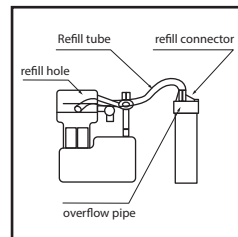
Install the base with the rubber gasket in the tank, turn the screw as illustrated to make sure there is no water leakage and no looseness



Water level adjustment: Rotating adjustable rod can adjust the height of float cup and get different water level.

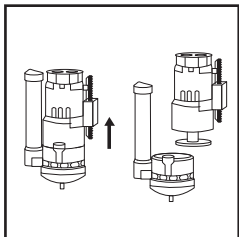


Install water supply pipe, and decide if you should install plastic adapter.

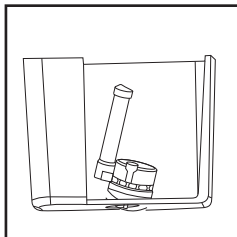


Attach one tip of refill tube to refill hole of the fill valve, and the other tip to the refill connector on the top of overflow pipe.

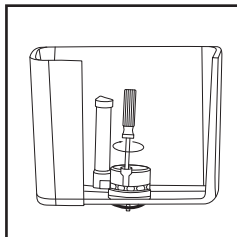
2. BASE INSTALLATION



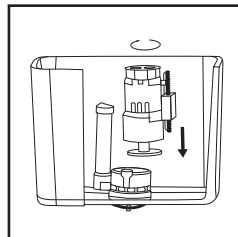
Take off valve body



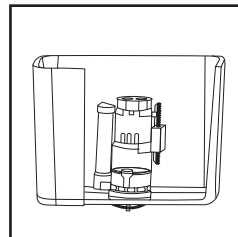
Put the end of the steel hook into the hole, then the other end of the hook.



Tighten with a screwdriver to avoid looseness and leakage of the valve.

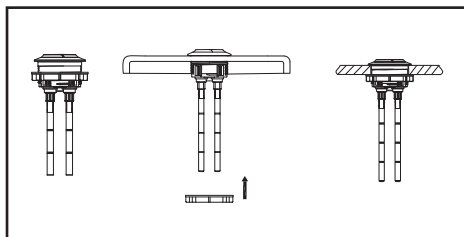


Install Valve body.

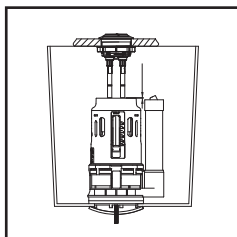


Make sure the base is installed correctly.

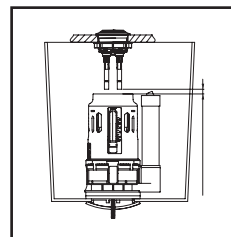
3. PUSH BUTTON ADJUSTMENT



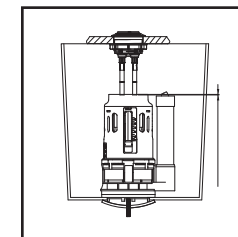
Check the completeness of the product before adjustment. Take out the lock nut and insert the push button into the tank cover. Adjust the push button and lock the nut to make it well-fixed in the tank.



The distance between the rod tail and valve push button must be 1-2mm



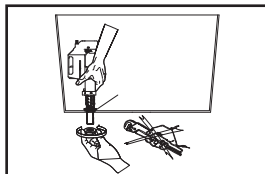
If the rod is too short, please re-adjust it (outward rotation).



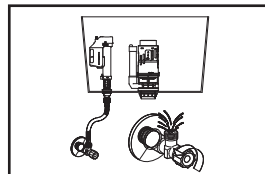
If the rod is too long please cut-off the extra length and re-adjust it.

4. TROUBLESHOOTING

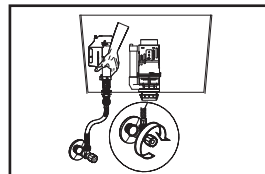
5. FILL VALVE INSTALLATION



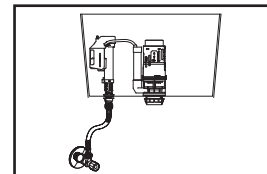
Install the valve into tank. Do not use any wrench tools. Fasten with hand only.



Connect water supply to the fill valve. Turn on water.



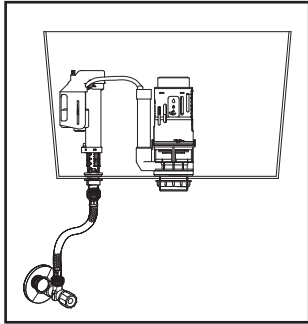
Turn off water supply valve before height adjustment of the toilet's fill valve.



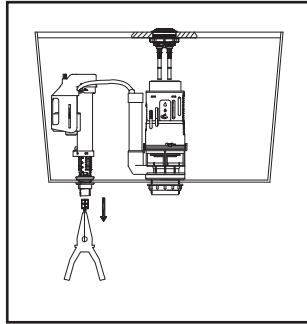
Put the refill tube into the white cap hole firmly.

CLEANING & TROUBLESHOOTING (FILL VALVE)

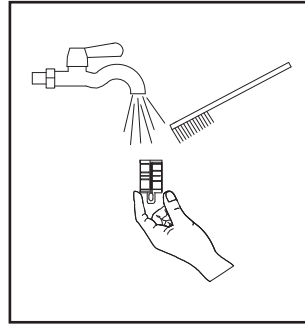
FILL VALVE CLEANING



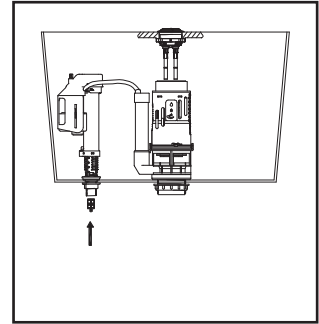
Shut off water supply line before filter cleaning.



Carefully, take out the filter from inlet by using pliers.

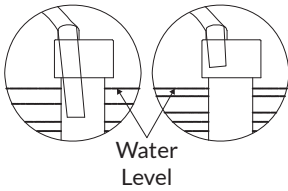


Use water to wash and clean the filter and adapter from any debris.



Re-install the filter and re-connect the water supply line.

TROUBLESHOOTING

Issue	Cause	Solution	Solution #4 WRONG RIGHT 
Water level is too high or too low	Improper water level adjustment	Adjust the water level	
Fill valve fails to shut off or fails to fill the water into the toilet's tank	<ol style="list-style-type: none"> Inlet valve switch is turned on. Inlet valve float crashed against ceramic wall Filter screen is clogged due to dirty water Improper refill hose installation 	<ol style="list-style-type: none"> Turn on inlet valve switch Adjust inlet valve position Clean the filter screen Install refill hose correctly (see diagram on the right) 	

MAINTENANCE & CARE

Use soft sponges or soft-cloths to clean the surface. Always rinse thoroughly any cleaning solutions immediately after cleaning. Do not any chemical remain on the surface for extended periods of time.

IMPORTANT!

DO NOT USE: Abrasive cleaners such as: acid, ammonia, bleach, and similar solutions. Use of such solutions may cause corrosion, finish peeling, and/or dull the surface.

DO NOT USE: Abrasive sponges or cloth. Never use steel, wool, or wired brushes that will permanently scratch the surface.

FILL/FLUSH VALVES MAINTENANCE & CARE

Do not pour any amounts of chlorine or any other chemicals into the tank. Use of chemical products will result in damage to the fill valve and flush valve components and may cause flood and property damage

Note: fill and flush valves are maintenance free. No maintenance is required.

Retain these installation instructions for future reference!

Thank you for using Fine Fixtures!